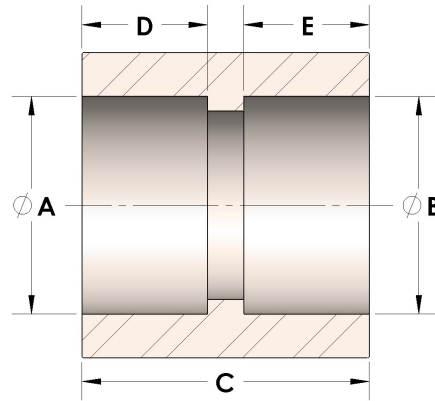


Product Category

100-1-0-S

Part Description

Direct Socketweld/Braze Coupling (Pipe)



DIMENSIONS

A	0.555
B	0.42
C	1.19
D	0.380
E	0.38

GENERAL

Pressure Rating	6000 PSI
Fitting Material	Carbon Steel, ASTM A108