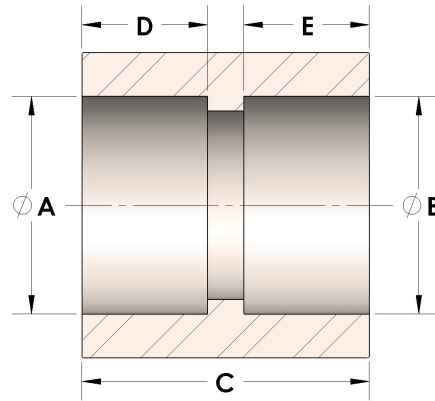


Product Category

100-1-CUNI

Part Description

Direct Socketweld/Braze Coupling (Pipe)



DIMENSIONS

A	0.555
B	0.56
C	1.06
D	0.380
E	0.38

GENERAL

Pressure Rating	4500 PSI
Fitting Material	Copper Nickel 70/30, MIL-C--15726F, UNS C71500