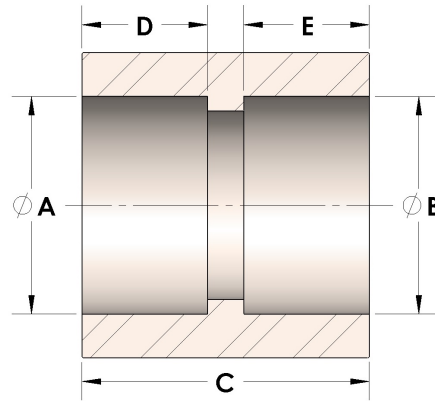


Product Category

100-2-1-CUNI

Part Description

Direct Socketweld/Braze Coupling (Pipe)



## DIMENSIONS

A	0.690
B	0.56
C	1.25
D	0.440
E	0.38

## GENERAL

Pressure Rating	3000 PSI
Fitting Material	Copper Nickel 70/30, MIL-C--15726F, UNS C71500