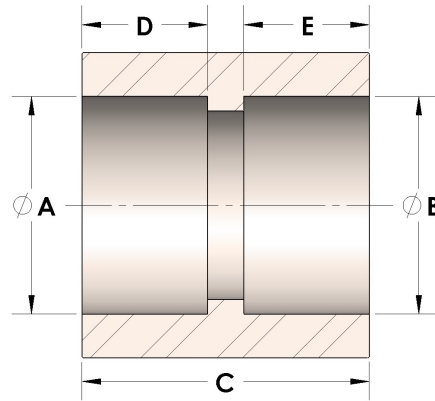


Product Category

100-2-1-M

Part Description

Direct Socketweld/Braze Coupling (Pipe)



DIMENSIONS

A	0.690
B	0.56
C	1.25
D	0.440
E	0.38

GENERAL

Pressure Rating	6000 PSI
Fitting Material	Monel®, ASTM B164, UNS N04405