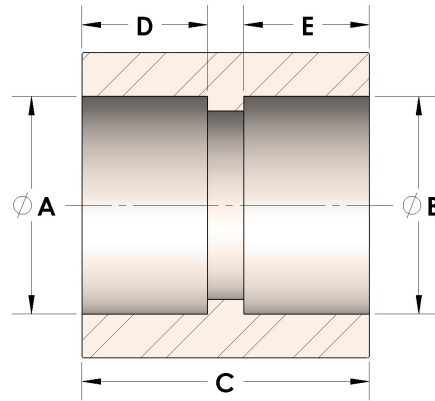


Product Category

100-2-1-SS316L

Part Description

Direct Socketweld/Braze Coupling (Pipe)



DIMENSIONS

A	0.690
B	0.56
C	1.25
D	0.440
E	0.38

GENERAL

Pressure Rating	6000 PSI
Fitting Material	316/L Stainless Steel, ASTM A276, UNS S31600/03