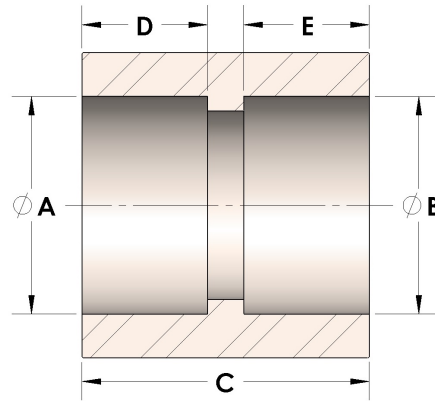


Product Category

100-3-M

Part Description

Direct Socketweld/Braze Coupling (Pipe)



## DIMENSIONS

A	0.855
B	0.86
C	1.13
D	0.380
E	0.38

## GENERAL

Pressure Rating	6000 PSI
Fitting Material	Monel®, ASTM B164, UNS N04405