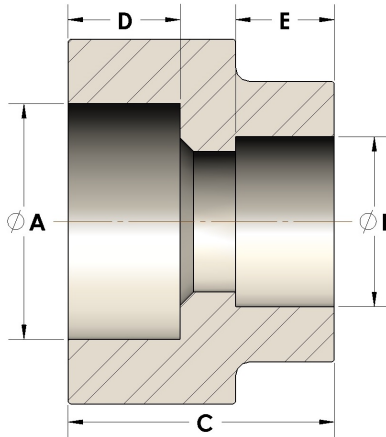


Product Category

107-1-04-CUNI

Part Description

Direct Socketweld/Braze Coupling (Pipe X Tube)



## DIMENSIONS

A	0.545
B	0.25
C	0.88
D	0.380

## GENERAL

Pressure Rating	6000 PSI
Fitting Material	Copper Nickel 70/30, MIL-C--15726F, UNS C71500