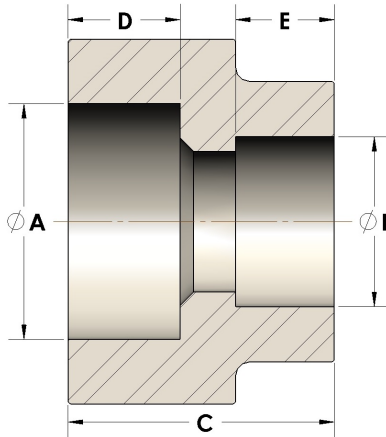


Product Category

107-1-04-S

Part Description

Direct Socketweld/Braze Coupling (Pipe X Tube)



DIMENSIONS

A	0.545
B	0.25
C	0.88
D	0.380

GENERAL

Pressure Rating	6000 PSI
Fitting Material	Carbon Steel, ASTM A108