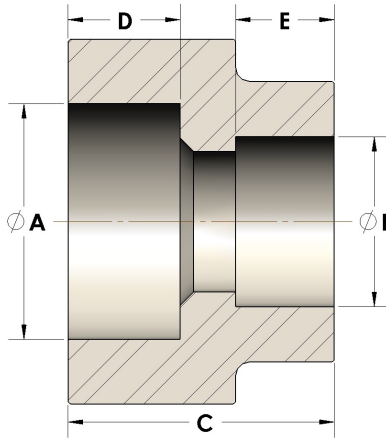


Product Category

107-1-06-M

Part Description

Direct Socketweld/Braze Coupling (Pipe X Tube)



## DIMENSIONS

A	0.545
B	0.38
C	0.88
D	0.380

## GENERAL

Pressure Rating	6000 PSI
Fitting Material	Monel®, ASTM B164, UNS N04405