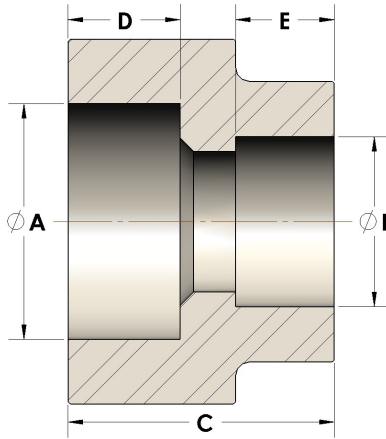


Product Category

107-1-06-SS316L

Part Description

Direct Socketweld/Braze Coupling (Pipe X Tube)



DIMENSIONS

A	0.545
B	0.38
C	0.88
D	0.380

GENERAL

Pressure Rating	6000 PSI
Fitting Material	316/L Stainless Steel, ASTM A276, UNS S31600/03