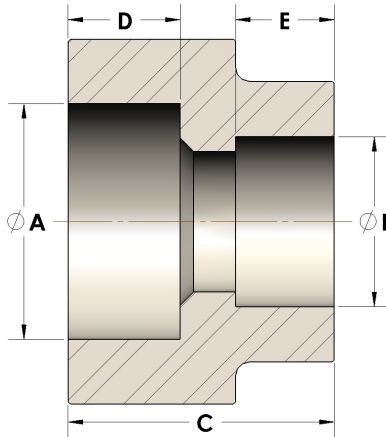


Product Category

107-1-08-CUNI

Part Description

Direct Socketweld/Braze Coupling (Pipe X Tube)



DIMENSIONS

A	0.545
B	0.50
C	0.88
D	0.380

GENERAL

Pressure Rating	4500 PSI
Fitting Material	Copper Nickel 70/30, MIL-C--15726F, UNS C71500