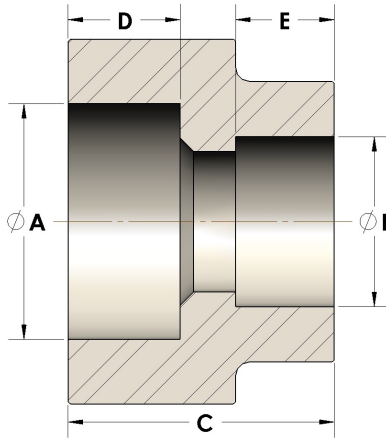


Product Category

107-2-04-S

Part Description

Direct Socketweld/Braze Coupling (Pipe X Tube)



DIMENSIONS

A	0.680
B	0.25
C	0.94
D	0.380

GENERAL

Pressure Rating	6000 PSI
Fitting Material	Carbon Steel, ASTM A36/311, UNS K02600/G10180