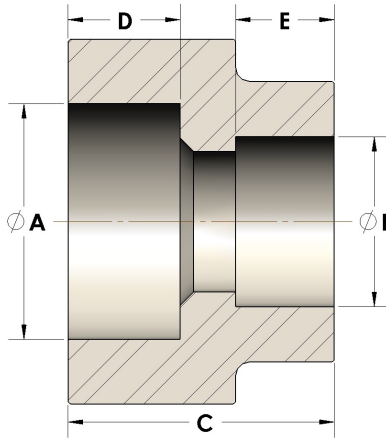


Product Category

107-8-32-SS316L

Part Description

Direct Socketweld/Braze Coupling (Pipe X Tube)



## DIMENSIONS

A	2.380
B	2.00
C	2.13
D	0.880

## GENERAL

Pressure Rating	4500 PSI
Fitting Material	316/L Stainless Steel, ASTM A276, UNS S31600/03