

Product Category

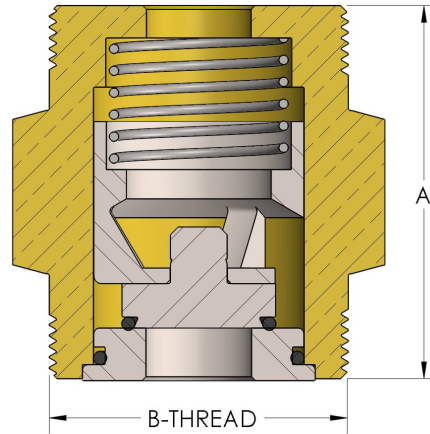
123A-4

Product Line

O-SEAL® In-Line Check Valves (123A Series)

Part Description

3/4" In-Line Check Valve with O-SEAL® Ends



DIMENSIONS

Port Dia.	0.63
A	2.500
B-THREAD	2.000"-12UN
CRN	OC17716.2

GENERAL

Pressure Rating	6000 PSI
Temperature Range	-15°F to 400°F (-26°C to 204°C)
Standard Soft Goods	[-C] Viton® O-Rings
Cartridge Type	Check
Connection Type	O-SEAL® Union Thread
Connection Size	3/4"
CRN	OC17716.2



OPTIONS

Optional Soft Goods

[-B] Polyurethane® Packing and Buna-N O-Rings, [-C] Viton® Packing & O-Rings, [-D] EPDM Packing & O-Rings