

Product Category

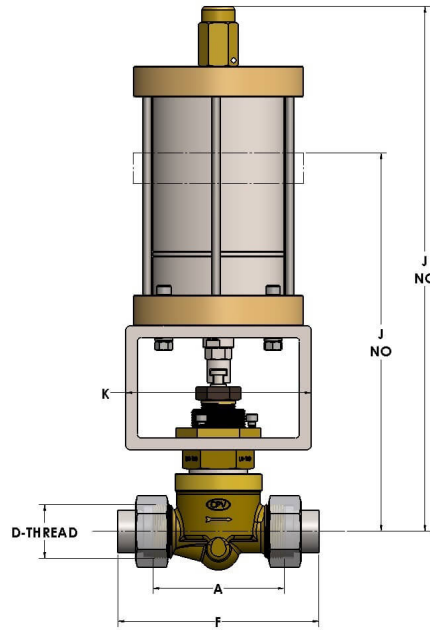
1380-0-P-OXNB-VC-NC

Product Line

FloMaster® Actuated OXNB Shutoff Valve (1300 Series)

Part Description

1/8" Globe Shutoff Oxygen Actuated Valve, Normally Closed



DIMENSIONS

| | |
|---------------------|--------------|
| Port Dia. | 0.22 |
| A | 2.750 |
| CRN | 0C16868.2 |
| D-THREAD | 1.000"-14UNS |
| F | 4.13 |
| J (Normally Closed) | 11.5 |
| K | 4 |



GENERAL

| | |
|----------------------------|-----------------------------------|
| Pressure Rating | 4500 PSI |
| Temperature Range | -15°F to 400°F (-26°C to 204°C) |
| Standard Soft Goods | [-C] Viton® Packing & O-Rings |
| Cartridge Type | Shutoff |
| Connection Type | O-SEAL® Union Thread |
| Connection Size | 1/8" |
| Body Material | Naval Brass, ASTM B21, UNS C46400 |
| Bonnet Material | Naval Brass, ASTM B21, UNS C46400 |
| CRN | OC16868.2 |

OPTIONS

| | |
|--------------------------------|---|
| Port & Vent Options | [-PA] Port Above Seat (1/8" NPT), [-PB] Port Below Seat (1/8" NPT), [-VA] Vent Above Seat (3/8"-24 SAE), [-VB] Vent Below Seat (3/8"-24 SAE), |
|--------------------------------|---|