

Product Category

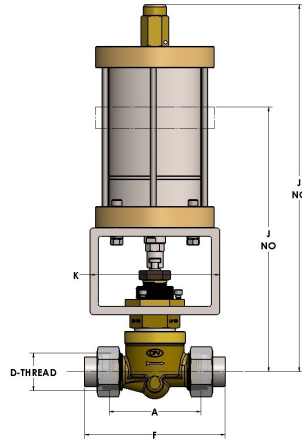
1380-1-P-OXNB-VC-NO

Product Line

FloMaster® Actuated OXNB Shutoff Valve (1300 Series)

Part Description

1/4" Globe Shutoff Oxygen Actuated Valve, Normally Open



## DIMENSIONS

Port Dia.	0.31
A	3.380
CRN	0C16868.2
D-THREAD	1.188"-12UN
F	5.50
J (Normally Open)	10
K	4



## GENERAL

<b>Pressure Rating</b>	4500 PSI
<b>Temperature Range</b>	-15°F to 400°F (-26°C to 204°C)
<b>Standard Soft Goods</b>	[-C] Viton® Packing & O-Rings
<b>Cartridge Type</b>	Shutoff
<b>Connection Type</b>	O-SEAL® Union Thread
<b>Connection Size</b>	1/4"
<b>Body Material</b>	Naval Brass, ASTM B21, UNS C46400
<b>Bonnet Material</b>	Naval Brass, ASTM B21, UNS C46400
<b>CRN</b>	OC16868.2

## OPTIONS

<b>Port &amp; Vent Options</b>	[-PA] Port Above Seat (1/8" NPT), [-PB] Port Below Seat (1/8" NPT), [-VA] Vent Above Seat (3/8"-24 SAE), [-VB] Vent Below Seat (3/8"-24 SAE),
--------------------------------	---