

Product Category

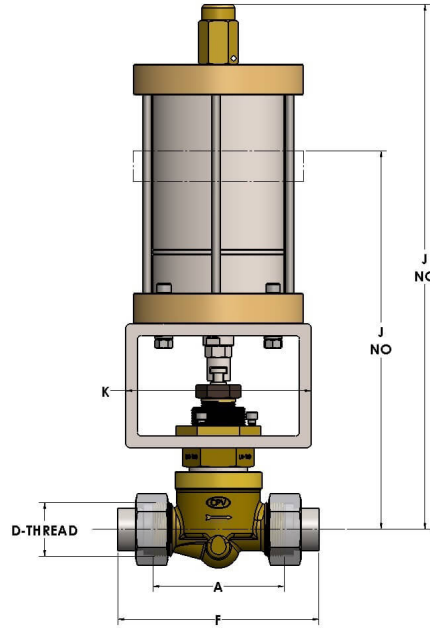
1380-5-P-OXNB-VC-NO

Product Line

FloMaster® Actuated OXNB Shutoff Valve (1300 Series)

Part Description

1.00" Globe Shutoff Oxygen Actuated Valve, Normally Open



## DIMENSIONS

Port Dia.	0.81
A	5.250
CRN	0C16868.2
D-THREAD	2.313"-12UNS
F	7.75
J (Normally Open)	14.25
K	8



## GENERAL

<b>Pressure Rating</b>	4500 PSI
<b>Temperature Range</b>	-15°F to 400°F (-26°C to 204°C)
<b>Standard Soft Goods</b>	[-C] Viton® Packing & O-Rings
<b>Cartridge Type</b>	Shutoff
<b>Connection Type</b>	O-SEAL® Union Thread
<b>Connection Size</b>	1.00"
<b>Body Material</b>	Naval Brass, ASTM B21, UNS C46400
<b>Bonnet Material</b>	Naval Brass, ASTM B21, UNS C46400
<b>CRN</b>	OC16868.2

## OPTIONS

<b>Port &amp; Vent Options</b>	[-PA] Port Above Seat (1/4" NPT), [-PB] Port Below Seat (1/4" NPT), [-VA] Vent Above Seat (1/2"-13 SAE), [-VB] Vent Below Seat (1/2"-13 SAE),
--------------------------------	-----------------------------------------------------------------------------------------------------------------------------------------------