

Product Category

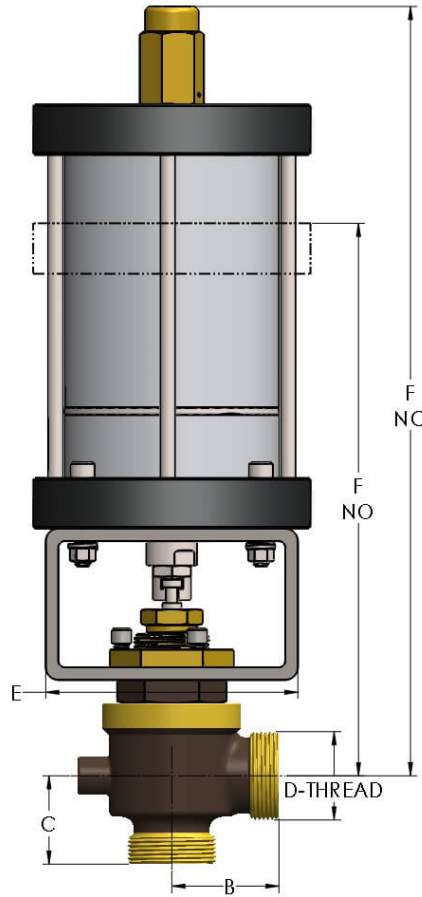
1381-4-NC

Product Line

FloMaster® Actuated O-SEAL® Shutoff Valve (1300 Series)

Part Description

3/4" Angle Shutoff Actuated Valve, O-SEAL® Ends, Normally Closed



DIMENSIONS

Port Dia.	0.63
B	2.31
C	2.38
CRN	0C17716.2
D-THREAD	2.000"-12UN
E	8.00
F (Normally Closed)	13.56



GENERAL

Pressure Rating	6000 PSI
Temperature Range	-15°F to 400°F (-26°C to 204°C)
Standard Soft Goods	[-G] Polyurethane® Packing and Viton® O-Rings
Cartridge Type	Shutoff
Connection Type	O-SEAL® Union Thread
Connection Size	3/4"
Body Material	Nickel Aluminum Bronze, ASTM B148, UNS C95800
Bonnet Material	Nickel Aluminum Bronze, ASTM B150, UNS C63200
CRN	OC17716.2

OPTIONS

[-VC] Vacuum Service	Option to add additional softgoods for internal vacuum service.
Port & Vent Options	[-PA] Port Above Seat (1/4" NPT), [-PB] Port Below Seat (1/4" NPT), [-VA] Vent Above Seat (1/2"-13 SAE), [-VB] Vent Below Seat (1/2"-13 SAE),
Optional Soft Goods	[-B] Polyurethane® Packing and Buna-N O-Rings, [-C] Viton® Packing & O-Rings, [-D] EPDM Packing & O-Rings