

Product Category

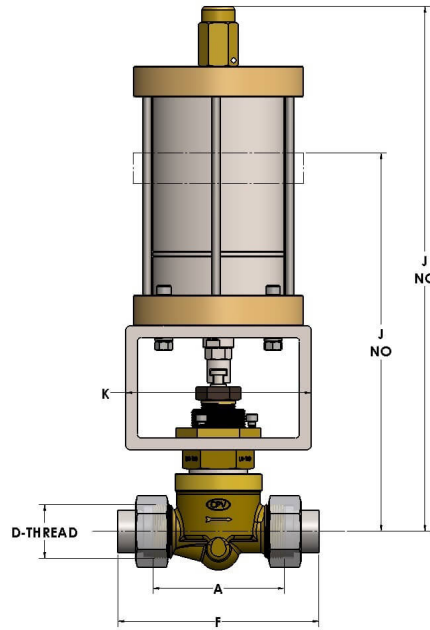
1480-0-P-OXNB-VC-NC

Product Line

FloMaster® Actuated OXNB Needle Valve (1400 Series)

Part Description

1/8" Globe Needle Oxygen Actuated Valve, Normally Closed



DIMENSIONS

Port Dia.	0.22
A	2.750
CRN	0C16868.2
D-THREAD	1.000"-14UNS
F	4.13
J (Normally Closed)	11.5
K	4



GENERAL

Pressure Rating	4500 PSI
Temperature Range	-15°F to 400°F (-26°C to 204°C)
Standard Soft Goods	[-C] Viton® Packing & O-Rings
Cartridge Type	Needle
Connection Type	O-SEAL® Union Thread
Connection Size	1/8"
Body Material	Naval Brass, ASTM B21, UNS C46400
Bonnet Material	Naval Brass, ASTM B21, UNS C46400
CRN	OC16868.2

OPTIONS

Port & Vent Options	[-PA] Port Above Seat (1/8" NPT), [-PB] Port Below Seat (1/8" NPT), [-VA] Vent Above Seat (3/8"-24 SAE), [-VB] Vent Below Seat (3/8"-24 SAE),
--------------------------------	---