

Product Category

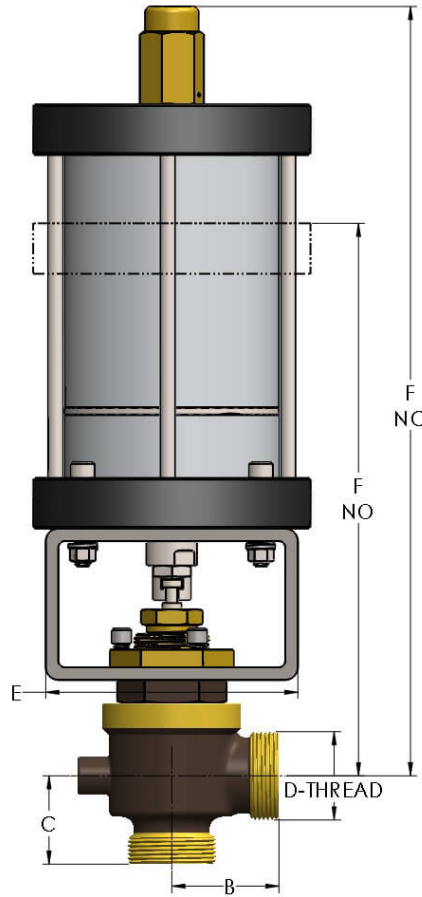
1481-0-NO

Product Line

FloMaster® Actuated O-SEAL® Needle Valve (1400 Series)

Part Description

1/8" Angle Needle Actuated Valve, O-SEAL® Ends, Normally Open



## DIMENSIONS

Port Dia.	0.22
B	1.38
C	1.13
CRN	OC17716.2
D-THREAD	1.000"-14UNS
E	4.00
F (Normally Open)	6.09



## GENERAL

<b>Pressure Rating</b>	6000 PSI
<b>Temperature Range</b>	-15°F to 400°F (-26°C to 204°C)
<b>Standard Soft Goods</b>	[-G] Polyurethane® Packing and Viton® O-Rings
<b>Cartridge Type</b>	Needle
<b>Connection Type</b>	O-SEAL® Union Thread
<b>Connection Size</b>	1/8"
<b>Body Material</b>	Nickel Aluminum Bronze, ASTM B148, UNS C95800
<b>Bonnet Material</b>	Nickel Aluminum Bronze, ASTM B150, UNS C63200
<b>CRN</b>	OC17716.2

## OPTIONS

<b>[-VC] Vacuum Service</b>	Option to add additional softgoods for internal vacuum service.
<b>Port &amp; Vent Options</b>	[-PA] Port Above Seat (1/8" NPT), [-PB] Port Below Seat (1/8" NPT), [-VA] Vent Above Seat (3/8"-24 SAE), [-VB] Vent Below Seat (3/8"-24 SAE),
<b>Optional Soft Goods</b>	[-B] Polyurethane® Packing and Buna-N O-Rings, [-C] Viton® Packing & O-Rings, [-D] EPDM Packing & O-Rings