



Product Category

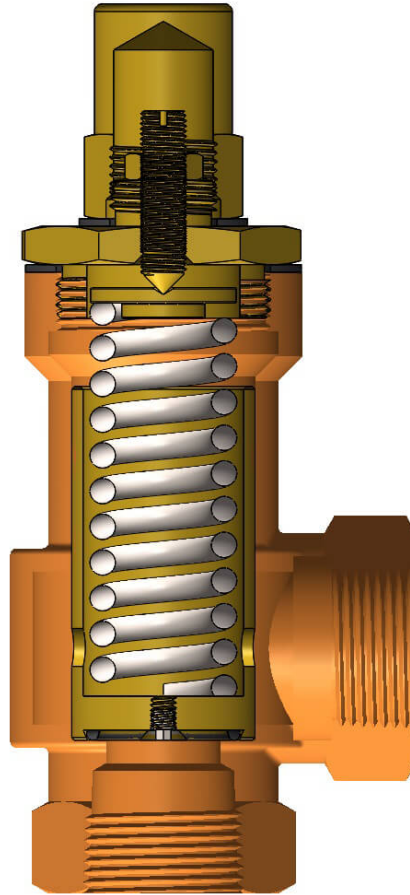
150-4

Product Line

NPT Threaded Relief Valves (150 Series)

Part Description

Bronze Angle Relief Valve with Female Pipe Thread (NPT) Ends



DIMENSIONS

Overall Length	6.25
Female Inlet and Outlet (NPT)	3/4"-14
Center of Outlet to Bottom	1.75
Weight (lbs.)	3.8



GENERAL

Pressure Rating	300 PSI
Temperature Range	-30°F to 250°F (-34°C to 121°C)
Standard Soft Goods	Buna-N O-Rings
Cartridge Type	Relief
Connection Type	Female Pipe Thread (NPT)
Connection Size	3/4"
Body Material	Valve Bronze, ASTM B61, UNS C92200
Bonnet Material	Naval Brass, ASTM B21, UNS C46400

OPTIONS

Optional Soft Goods	Viton® O-Rings, EPDM O-Rings
----------------------------	------------------------------