



Product Category

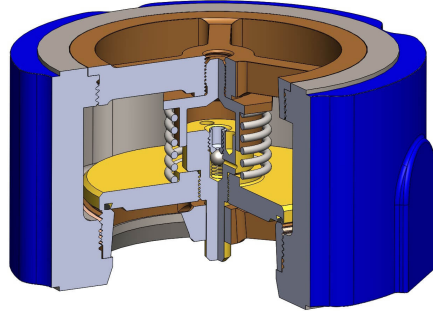
16D-B-B-R

Product Line

Air Check Valves (14D, 15D, 16D, 17D, 125D, 126D)

Part Description

CLASS 150 Flange Style Silent Air Check Valve with Bronze Body and Bronze Trim



DIMENSIONS

Face to Face	2.88
Dia. of Bolt Circle	5.50
Dia. of Flange	7.00
No. of Studs	4
Dia. of Studs	0.63
Length of Studs	7.00
Weight (lbs.)	14

GENERAL

Pressure Rating	up to 290 PSI
Temperature Range	-30°F to 250°F (-34°C to 121°C)
Standard Soft Goods	Buna-N O-Rings
Cartridge Type	Air Check
Connection Type	ANSI B16.5 Flange
Connection Size	2.5"
Body Material	Valve Bronze, ASTM B61, UNS C92200



OPTIONS

Port & Vent Options

[-DP] Drain Plug Above Seat (3/8" NPT)

Optional Soft Goods

Viton® O-Rings, EPDM O-Rings