

Product Category

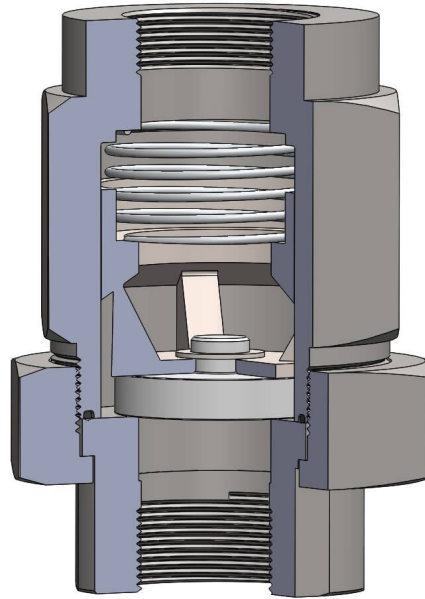
34-7

Product Line

NPT Threaded Check Valves (34, 36, 37 Series)

Part Description

Steel Body In-line Silent Check Valve with Female Pipe Thread (NPT) Ends



DIMENSIONS

| | |
|-------------------------------|-------------|
| End to End | 5.63 |
| Female Inlet and Outlet (NPT) | 1.500"-11.5 |
| Weight (lbs.) | 9.5 |

GENERAL

| | |
|---------------------|--|
| Pressure Rating | 300 PSI |
| Temperature Range | -30°F to 250°F (-34°C to 121°C) |
| Standard Soft Goods | Buna-N O-Rings and Nylon Disc |
| Cartridge Type | Check |
| Connection Type | Female Pipe Thread (NPT) |
| Connection Size | 1.50" |
| Body Material | Carbon Steel, ASTM A36/A311, UNS K02600/G10180 |



OPTIONS

Optional Soft Goods

Viton® O-Rings, EPDM O-Rings