

Product Category

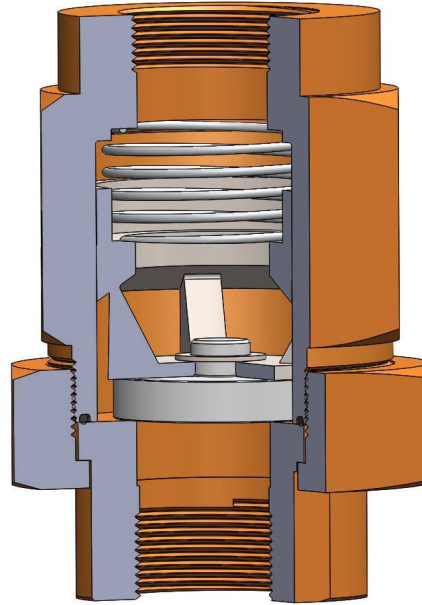
36-4

Product Line

NPT Threaded Check Valves (34, 36, 37 Series)

Part Description

Bronze Body In-line Silent Check Valve with Female Pipe Thread (NPT) Ends



DIMENSIONS

End to End	4.06
Female Inlet and Outlet (NPT)	3/4"-14
Weight (lbs.)	3

GENERAL

Pressure Rating	300 PSI
Temperature Range	-30°F to 250°F (-34°C to 121°C)
Standard Soft Goods	Buna-N O-Rings and Nylon Disc
Cartridge Type	Check
Connection Type	Female Pipe Thread (NPT)
Connection Size	3/4"
Body Material	Valve Bronze, ASTM B61, UNS C92200



OPTIONS

Optional Soft Goods

Viton® O-Rings, EPDM O-Rings