



Product Category

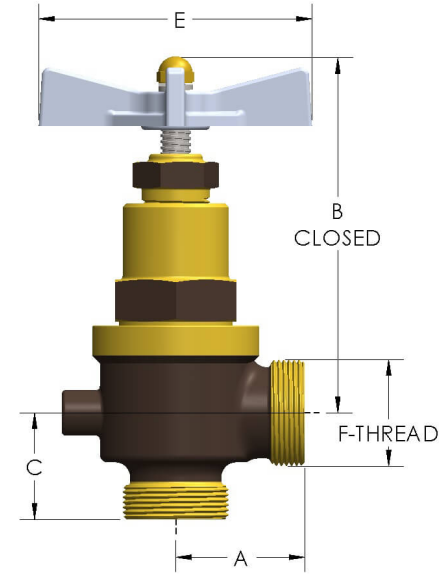
381-6

Product Line

O-SEAL® Shutoff Valves (300 Series)

Part Description

1.25" Angle Shutoff Valve with O-SEAL® Ends



DIMENSIONS

| | |
|-----------|-------------|
| Port Dia. | 1 |
| A | 3.250 |
| B | 6.88 |
| C | 3.00 |
| E | 9.00 |
| F-THREAD | 2.750"-12UN |
| Lift | 0.59 |



GENERAL

| | |
|----------------------------|---|
| Pressure Rating | 6000 PSI |
| Temperature Range | -15°F to 275°F (-26°C to 135°C) |
| Standard Soft Goods | [-G] Polyurethane® Packing and Viton® O-Rings |
| Cartridge Type | Shutoff |
| Connection Type | O-SEAL® Union Thread |
| Connection Size | 1.25" |
| Body Material | Nickel Aluminum Bronze, ASTM B148, UNS C95800 |
| Bonnet Material | Nickel Aluminum Bronze, ASTM B148, UNS C95800 |

OPTIONS

| | |
|--------------------------------|--|
| [-VC] Vacuum Service | Option to add additional softgoods for internal vacuum service. |
| [-P] Panel Mount | Option to add external thread and panel mounting nut to bonnet |
| Port & Vent Options | [-PA] Port Above Seat (1/4" NPT), [-PB] Port Below Seat (1/4" NPT), '[-VA] Vent Above Seat (1/2"-13 SAE), [-VB] Vent Below Seat (1/2"-13 SAE), |
| Optional Soft Goods | [-B] Polyurethane® Packing and Buna-N O-Rings, [-C] Viton® Packing & O-Rings, [-D] EPDM Packing & O-Rings |