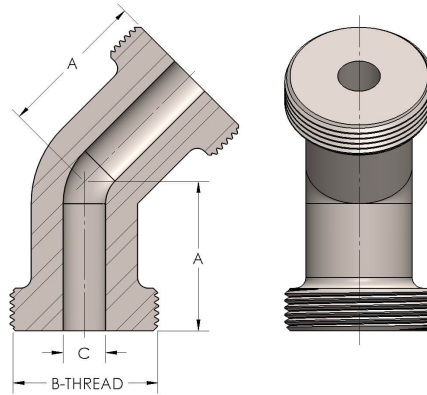


Product Category

42-0-S

Part Description

Elbow 45°



DIMENSIONS

A	1.130
B-THREAD	1.000" - 14UNS
C	0.22

GENERAL

Pressure Rating	6000 PSI
Threadpiece Material	Steel, ASTM A216-WCB, UNS J03002