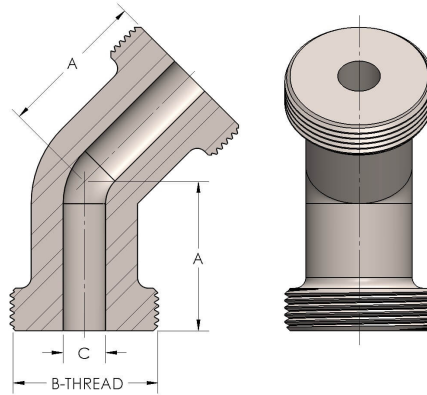


Product Category

42-1-S

Part Description

Elbow 45°



DIMENSIONS

A	1.380
B-THREAD	1.188" - 12UN
C	0.31

GENERAL

Pressure Rating	6000 PSI
Threadpiece Material	Steel, ASTM A216-WCB, UNS J03002