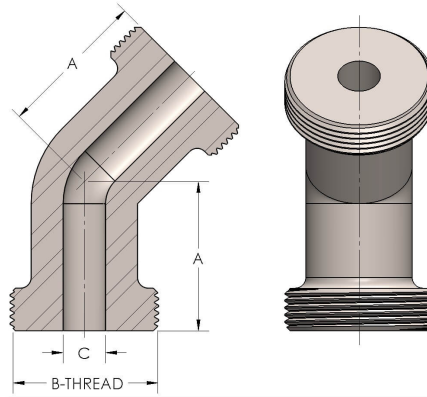


Product Category

42-2-S

Part Description

Elbow 45°



DIMENSIONS

A	1.500
B-THREAD	1.375" - 12UNF
C	0.44

GENERAL

Pressure Rating	6000 PSI
Threadpiece Material	Steel, ASTM A216-WCB, UNS J03002