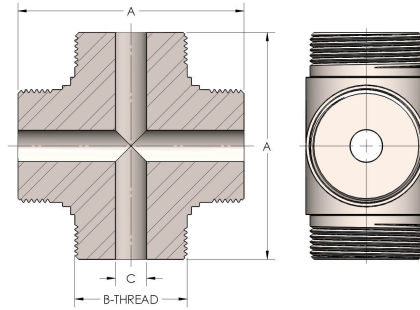


Product Category

43-0-SS316L

Part Description

Cross



## DIMENSIONS

<b>A</b>	2.250
<b>B-THREAD</b>	1.000" - 14UNS
<b>C</b>	0.22
<b>D</b>	1.130

## GENERAL

<b>Pressure Rating</b>	6000 PSI
<b>Threadpiece Material</b>	316 Stainless Steel, ASTM A351, UNS J92900