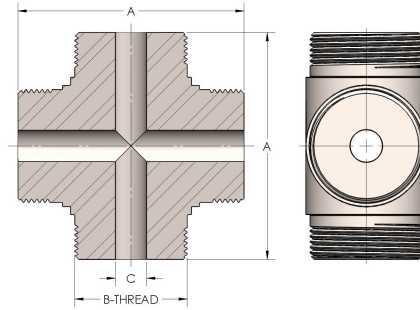


Product Category

43-1-NAB

Part Description

Cross



DIMENSIONS

A	2.750
B-THREAD	1.188" - 12UN
C	0.31
D	1.380

GENERAL

Pressure Rating	6000 PSI
Threadpiece Material	Nickel Aluminum Bronze, ASTM B148, UNS C95800