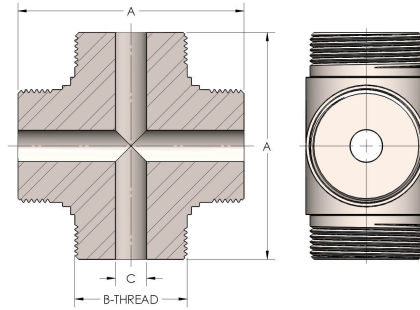


Product Category

43-1-SS316L

Part Description

Cross



## DIMENSIONS

A	2.750
B-THREAD	1.188" - 12UN
C	0.31
D	1.380

## GENERAL

Pressure Rating	6000 PSI
Threadpiece Material	316 Stainless Steel, ASTM A351, UNS J92900