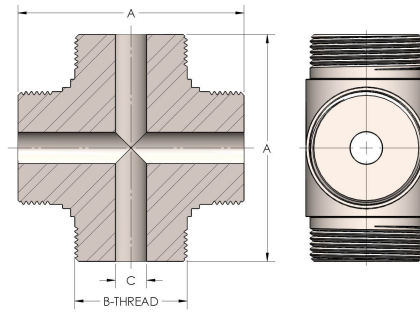


Product Category

43-3-SS316L

Part Description

Cross



## DIMENSIONS

<b>A</b>	3.500
<b>B-THREAD</b>	1.750" - 12UN
<b>C</b>	0.50
<b>D</b>	1.750

## GENERAL

<b>Pressure Rating</b>	6000 PSI
<b>Threadpiece Material</b>	316 Stainless Steel, ASTM A351, UNS J92900