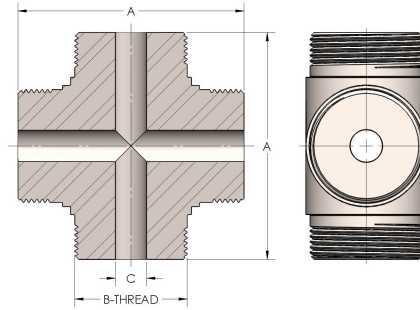


Product Category

43-4-SS316L

Part Description

Cross



DIMENSIONS

A	3.750
B-THREAD	2.000" - 12UN
C	0.63
D	1.880

GENERAL

Pressure Rating	6000 PSI
Threadpiece Material	316 Stainless Steel, ASTM A351, UNS J92900