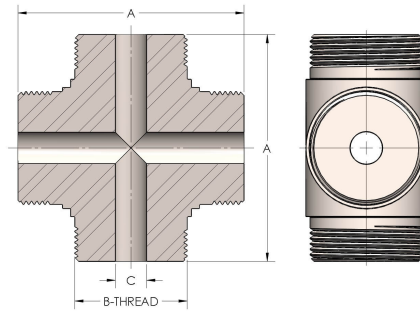


Product Category

43-5-NAB

Part Description

Cross



DIMENSIONS

A	4.500
B-THREAD	2.313" - 12UNS
C	0.81
D	2.250

GENERAL

Pressure Rating	6000 PSI
Threadpiece Material	Nickel Aluminum Bronze, ASTM B148, UNS C95800