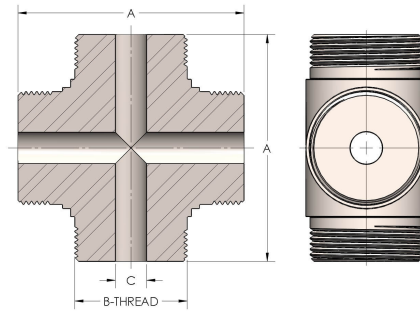


Product Category

43-5-SS316L

Part Description

Cross



DIMENSIONS

A	4.500
B-THREAD	2.313" - 12UNS
C	0.81
D	2.250

GENERAL

Pressure Rating	6000 PSI
Threadpiece Material	316 Stainless Steel, ASTM A351, UNS J92900