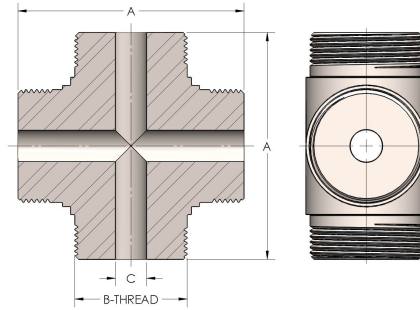


Product Category

43-7-S

Part Description

Cross



DIMENSIONS

A	5.750
B-THREAD	3.063" - 12UNS
C	1.38
D	2.880

GENERAL

Pressure Rating	6000 PSI
Threadpiece Material	Steel, ASTM A216-WCB, UNS J03002