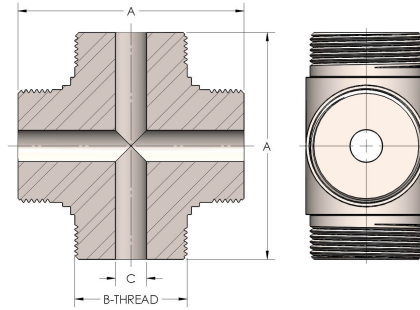


Product Category

43-8-NAB

Part Description

Cross



## DIMENSIONS

<b>A</b>	6.250
<b>B-THREAD</b>	3.750" - 12UN
<b>C</b>	1.75
<b>D</b>	3.250

## GENERAL

<b>Pressure Rating</b>	6000 PSI
<b>Threadpiece Material</b>	Nickel Aluminum Bronze, ASTM B148, UNS C95800