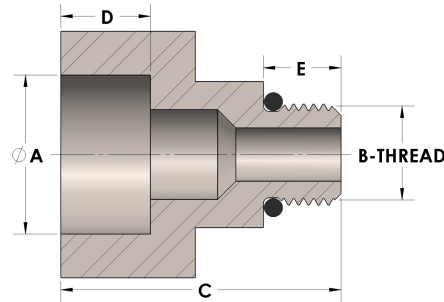


Product Category

45-2-06-M

Part Description

Direct Socketweld/Braze Pipe X Male Straight Thread Adapter



DIMENSIONS

| | |
|----------|-------------|
| A | 0.690 |
| B-THREAD | .563"-18UNF |
| C | 1.50 |
| D | 0.440 |
| E | 0.43 |

GENERAL

| | |
|------------------|--|
| Pressure Rating | 6000 PSI |
| O-Ring Material | Viton® Fluorocarbon Type 1, Class 2 (90 durometer) |
| Fitting Material | Monel®, ASTM B164, UNS N04405 |