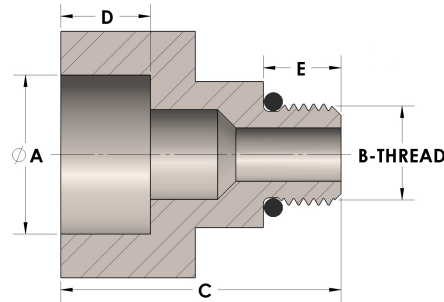


Product Category

45-3-08-M

Part Description

Direct Socketweld/Braze Pipe X Male Straight Thread Adapter



DIMENSIONS

A	0.855
B-THREAD	.750"-16UNF
C	1.69
D	0.500
E	0.47

GENERAL

Pressure Rating	6000 PSI
O-Ring Material	Viton® Fluorocarbon Type 1, Class 2 (90 durometer)
Fitting Material	Monel®, ASTM B164, UNS N04405