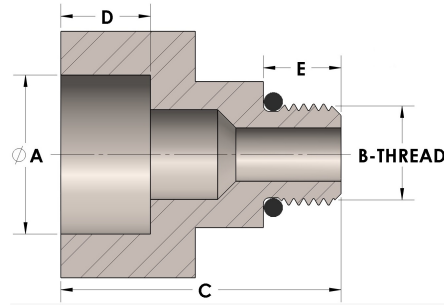


Product Category

45-3-16-SS316L

Part Description

Direct Socketweld/Braze Pipe X Male Straight Thread Adapter



DIMENSIONS

| | |
|----------|-------------|
| A | 0.855 |
| B-THREAD | 1.313"-12UN |
| C | 1.81 |
| D | 0.500 |
| E | 0.63 |

GENERAL

| | |
|------------------|--|
| Pressure Rating | 6000 PSI |
| O-Ring Material | Viton® Fluorocarbon Type 1, Class 2 (90 durometer) |
| Fitting Material | 316/L Stainless Steel, ASTM A276, UNS S31600/03 |