



Product Category

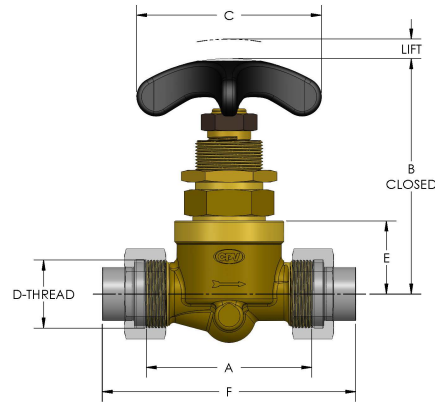
Product Line

Part Description

480-2-P-OXNB-VC

OXNB Needle Valve (400 Series)

3/8" Globe Needle Oxygen Hand Valve



### DIMENSIONS

Port Dia.	0.44
A	4.000
B	4.88
C	3.50
CRN	0C16868.2
D-THREAD	1.375"-12UNF
E	2.38
F	6.25
Lift	0.44



## GENERAL

<b>Pressure Rating</b>	6000 PSI
<b>Temperature Range</b>	-15°F to 400°F (-26°C to 204°C)
<b>Standard Soft Goods</b>	[-C] Viton® Packing & O-Rings
<b>Cartridge Type</b>	Needle
<b>Connection Type</b>	O-SEAL® Union Thread
<b>Connection Size</b>	3/8"
<b>Body Material</b>	Naval Brass, ASTM B21, UNS C46400
<b>Bonnet Material</b>	Naval Brass, ASTM B21, UNS C46400
<b>CRN</b>	OC16868.2

## OPTIONS

<b>Port &amp; Vent Options</b>	[-PA] Port Above Seat (1/8" NPT), [-PB] Port Below Seat (1/8" NPT), [-VA] Vent Above Seat (3/8"-24 SAE), [-VB] Vent Below Seat (3/8"-24 SAE),
--------------------------------	---