



Product Category

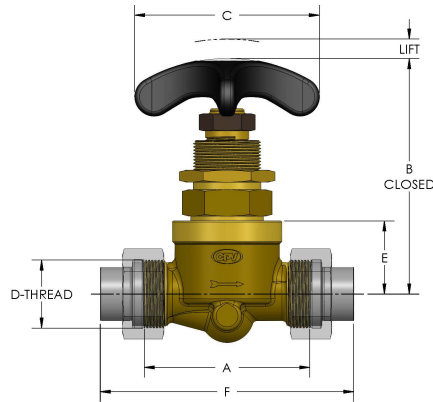
Product Line

Part Description

480-4-P-OXNB-VC

OXNB Needle Valve (400 Series)

3/4" Globe Needle Oxygen Hand Valve



DIMENSIONS

Port Dia.	0.63
A	4.630
B	6.25
C	5.25
CRN	0C16868.2
D-THREAD	2.000"-12UN
E	2.81
F	6.88
Lift	0.56



GENERAL

Pressure Rating	4500 PSI
Temperature Range	-15°F to 400°F (-26°C to 204°C)
Standard Soft Goods	[-C] Viton® Packing & O-Rings
Cartridge Type	Needle
Connection Type	O-SEAL® Union Thread
Connection Size	3/4"
Body Material	Naval Brass, ASTM B21, UNS C46400
Bonnet Material	Naval Brass, ASTM B21, UNS C46400
CRN	OC16868.2

OPTIONS

Port & Vent Options	[-PA] Port Above Seat (1/4" NPT), [-PB] Port Below Seat (1/4" NPT), '[-VA] Vent Above Seat (1/2"-13 SAE), [-VB] Vent Below Seat (1/2"-13 SAE),
--------------------------------	--