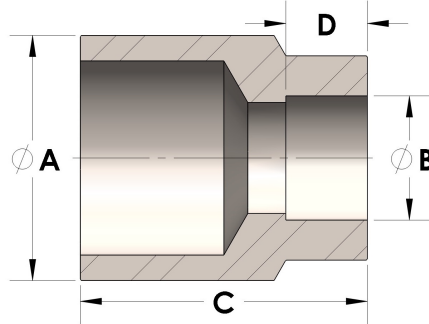


Product Category

57-2-0-S

Part Description

Direct Weld/Braze Insert (Male Pipe X Pipe SW)



## DIMENSIONS

A	0.675
B	0.42
C	1.25
D	0.380

## GENERAL

Pressure Rating	6000 PSI
Fitting Material	Carbon Steel, ASTM A108