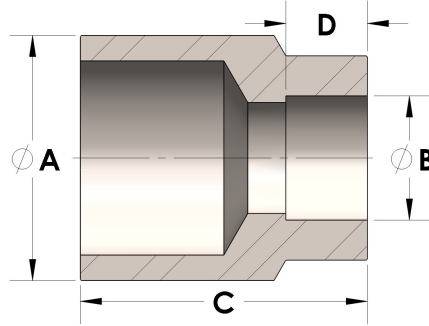


Product Category

57-3-2-M

Part Description

Direct Weld/Braze Insert (Male Pipe X Pipe SW)



## DIMENSIONS

A	0.840
B	0.69
C	1.63
D	0.440

## GENERAL

Pressure Rating	6000 PSI
Fitting Material	Monel®, ASTM B164, UNS N04405