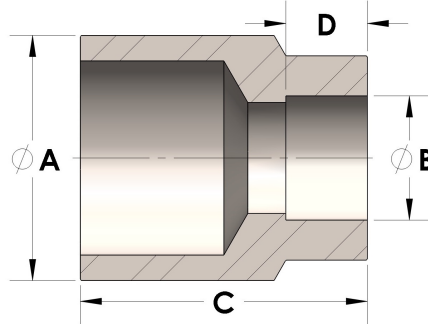


Product Category

57-3-2-SS316L

Part Description

Direct Weld/Braze Insert (Male Pipe X Pipe SW)



DIMENSIONS

A	0.840
B	0.69
C	1.63
D	0.440

GENERAL

Pressure Rating	6000 PSI
Fitting Material	316/L Stainless Steel, ASTM A276, UNS S31600/03