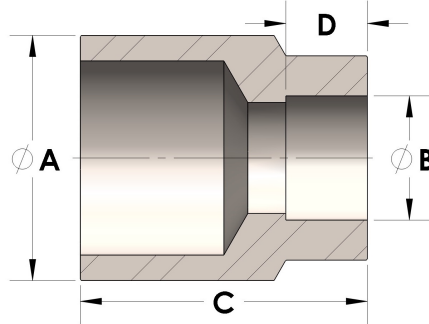


Product Category

57-5-1-S

Part Description

Direct Weld/Braze Insert (Male Pipe X Pipe SW)



DIMENSIONS

| | |
|---|-------|
| A | 1.315 |
| B | 0.56 |
| C | 1.63 |
| D | 0.380 |

GENERAL

| | |
|------------------|-------------------------|
| Pressure Rating | 6000 PSI |
| Fitting Material | Carbon Steel, ASTM A108 |