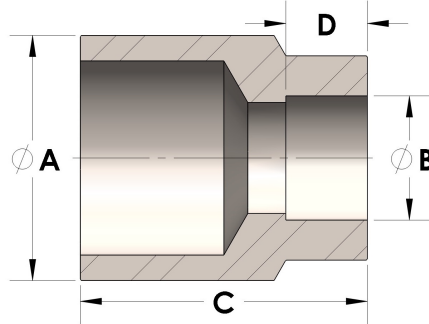


Product Category

57-7-5-S

Part Description

Direct Weld/Braze Insert (Male Pipe X Pipe SW)



## DIMENSIONS

|   |       |
|---|-------|
| A | 1.900 |
| B | 1.33  |
| C | 2.00  |
| D | 0.630 |

## GENERAL

|                  |                         |
|------------------|-------------------------|
| Pressure Rating  | 6000 PSI                |
| Fitting Material | Carbon Steel, ASTM A108 |