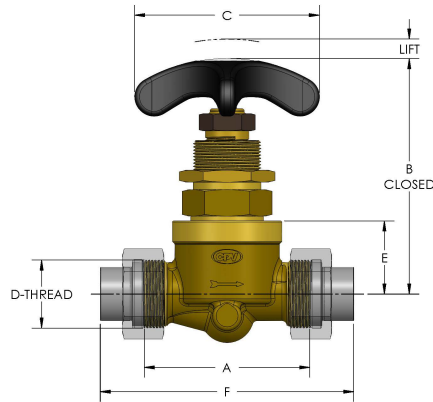




**Product Category**  
**Product Line**  
**Part Description**

580-0-P-OXNB-VC  
OXNB Stop-Check Valve (500 Series)  
1/8" Globe Stop-Check Oxygen Hand Valve



**DIMENSIONS**

|           |              |
|-----------|--------------|
| Port Dia. | 0.22         |
| A         | 2.750        |
| B         | 3.75         |
| C         | 3.50         |
| CRN       | 0C16868.2    |
| D-THREAD  | 1.000"-14UNS |
| E         | 1.63         |
| F         | 4.13         |
| Lift      | 0.19         |



## GENERAL

|                     |                                   |
|---------------------|-----------------------------------|
| Pressure Rating     | 4500 PSI                          |
| Temperature Range   | -15°F to 400°F (-26°C to 204°C)   |
| Standard Soft Goods | [-C] Viton® Packing & O-Rings     |
| Cartridge Type      | Stop-Check                        |
| Connection Type     | O-SEAL® Union Thread              |
| Connection Size     | 1/8"                              |
| Body Material       | Naval Brass, ASTM B21, UNS C46400 |
| Bonnet Material     | Naval Brass, ASTM B21, UNS C46400 |
| CRN                 | OC16868.2                         |

## OPTIONS

|                     |   |
|---------------------|---|
| Port & Vent Options | [-PA] Port Above Seat (1/8" NPT), [-PB] Port Below Seat (1/8" NPT), [-VA] Vent Above Seat (3/8"-24 SAE), [-VB] Vent Below Seat (3/8"-24 SAE), |
|---------------------|---|