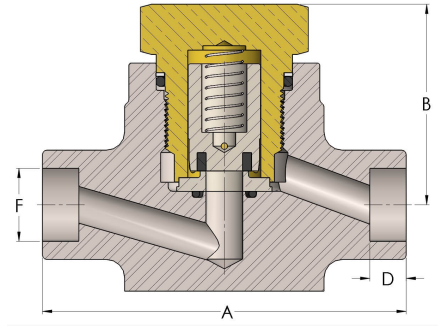


**Product Category**  
**Product Line**  
**Part Description**

670-4  
O-SEAL® Check Valves (600 Series)  
3/4" Globe Check Valve with Welded Ends



## DIMENSIONS

Port Dia.	0.63
A	5.380
B	2.81
D	0.560
F (Pipe Size)	1.065
F (Tube Size)	1.002

## GENERAL

Pressure Rating	6000 PSI
Temperature Range	-15°F to 275°F (-26°C to 135°C)
Standard Soft Goods	[-C] Viton® O-Rings
Cartridge Type	Check
Connection Type	Socketweld
Connection Size	3/4"
Body Material	316/L Stainless Steel, ASTM A276, UNS S31603
Bonnet Material	Nickel Aluminum Bronze, ASTM B150, UNS C63200



## OPTIONS

<b>Port &amp; Vent Options</b>	[-PA] Port Above Seat (1/4" NPT), [-PB] Port Below Seat (1/4" NPT), [-VA] Vent Above Seat (1/2"-13 SAE), [-VB] Vent Below Seat (1/2"-13 SAE),
<b>Optional Soft Goods</b>	[-B] Polyurethane® Packing and Buna-N O-Rings, [-C] Viton® Packing & O-Rings, [-D] EPDM Packing & O-Rings