



Product Category

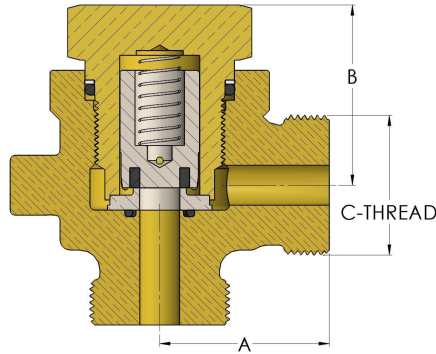
681-3

Product Line

O-SEAL® Check Valves (600 Series)

Part Description

1/2" Angle Check Valve with O-SEAL® Ends



### DIMENSIONS

|           |             |
|-----------|-------------|
| Port Dia. | 0.5         |
| A         | 2.130       |
| B         | 2.69        |
| C         | 1.75        |
| C-THREAD  | 1.750"-12UN |

### GENERAL

|                     |   |
|---------------------|---|
| Pressure Rating     | 6000 PSI                                      |
| Temperature Range   | -15°F to 275°F (-26°C to 135°C)               |
| Standard Soft Goods | [-C] Viton® O-Rings                           |
| Cartridge Type      | Check   |
| Connection Type     | O-SEAL® Union Thread                          |
| Connection Size     | 1/2"  |
| Body Material       | Nickel Aluminum Bronze, ASTM B148, UNS C95800 |
| Bonnet Material     | Nickel Aluminum Bronze, ASTM B150, UNS C63200 |



## OPTIONS

|                                |  |
|--------------------------------|--|
| <b>Port &amp; Vent Options</b> | [-PA] Port Above Seat (1/8" NPT), [-PB] Port Below Seat (1/8" NPT), '[-VA] Vent Above Seat (3/8"-24 SAE), [-VB] Vent Below Seat (3/8"-24 SAE), |
| <b>Optional Soft Goods</b>     | [-B] Polyurethane® Packing and Buna-N O-Rings, [-C] Viton® Packing & O-Rings, [-D] EPDM Packing & O-Rings                                      |